



Villeroy & Boch

1748



2021



The Kitchen  
Sink Limited



# Expertise in ceramics since 1748.

For more than 270 years, Villeroy&Boch has stood for outstanding quality, innovative designs and the highest materials and aesthetic requirements. Designers and product managers develop collections and concepts based on this tradition that shape living environments. Each product is outstanding with its unique form and lovingly crafted details. Villeroy&Boch sinks have all the advantages of high-quality premium ceramic. Ceramic sinks are equally impressive with regard to functionality, aesthetics and quality and meet the different everyday requirements in the kitchen. You will be surprised and impressed by our innovative design made by Villeroy&Boch.



# ADVANTAGES OF CERAMICS

A very special material.

Everyday life in the kitchen demands a robust material that is as tough as they come but also very forgiving. Villeroy& Boch takes advantage of the positive characteristics of ceramic, a natural, modern material that offers many benefits in the kitchen, particularly in the sink area.



## Durability

Ceramic is resistant to extreme temperatures.

## Hygiene

Ceramic does not take on flavours or smells.



## Robustness

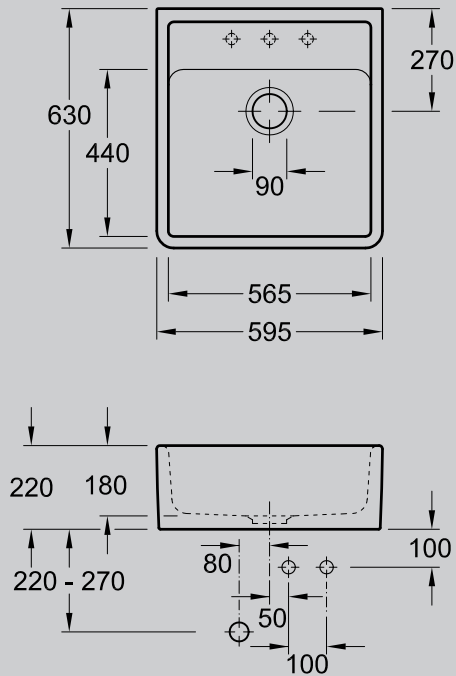
Ceramic is resistant to shocks and scratches.

## Cleaning

Ceramic is especially easy to clean.

# Butler

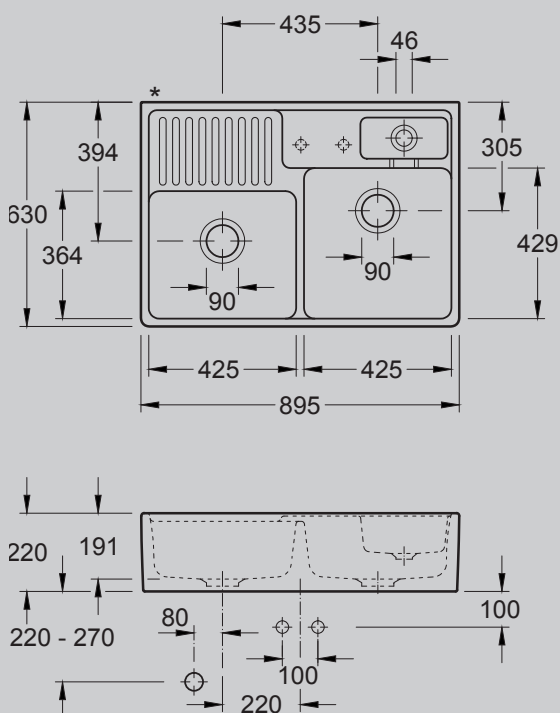
## Butler 60 sit on



Tap hole drilling  
service available

Min. Cabinet size: 600mm €630

## Butler 90 sit on

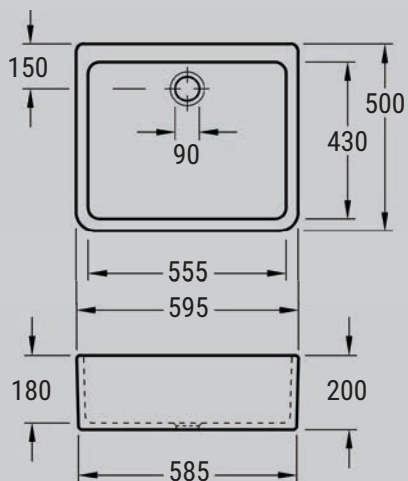


Tap hole drilling  
service available

Min. Cabinet size: 900mm €890

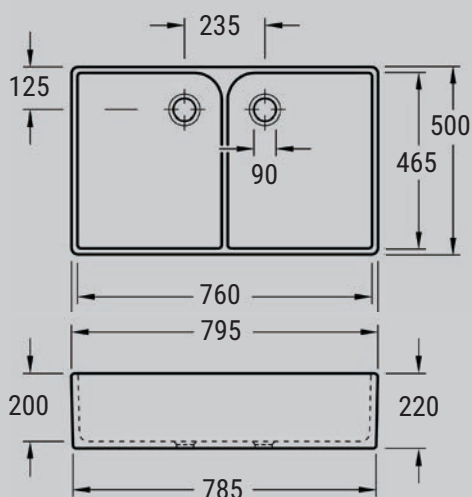
# Farmhouse

## Farmhouse 60 Sit On



Min. Cabinet size: 600mm €430

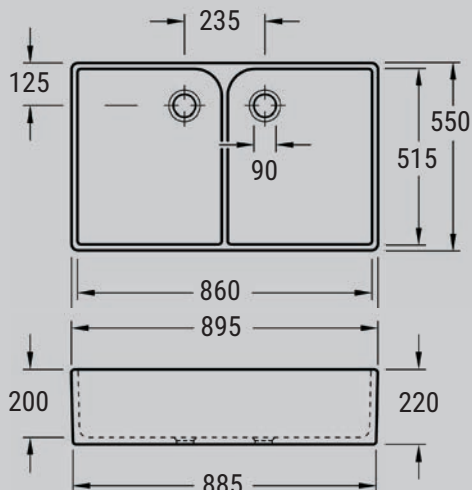
## Farmhouse 80 Sit On



Tap hole drilling service available

Farmhouse 80 Min. Cabinet size: 800mm €640

## Farmhouse 90 Sit On

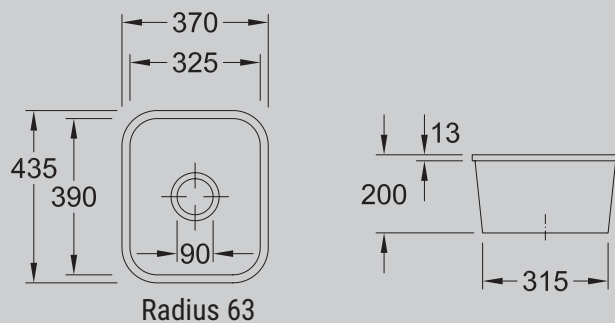


Tap hole drilling service available

Farmhouse 90 Min. Cabinet size: 900mm €690

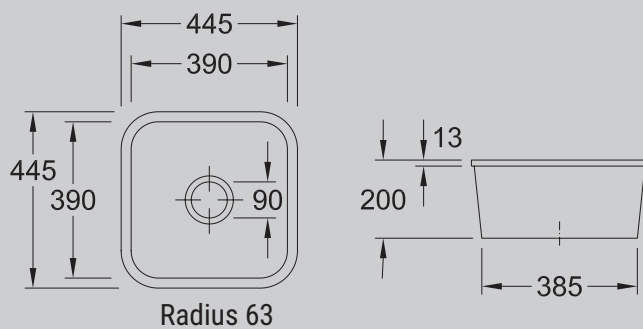
# Cisterna

## Cisterna 45 Undermount



Min. Cabinet size: 450mm €590

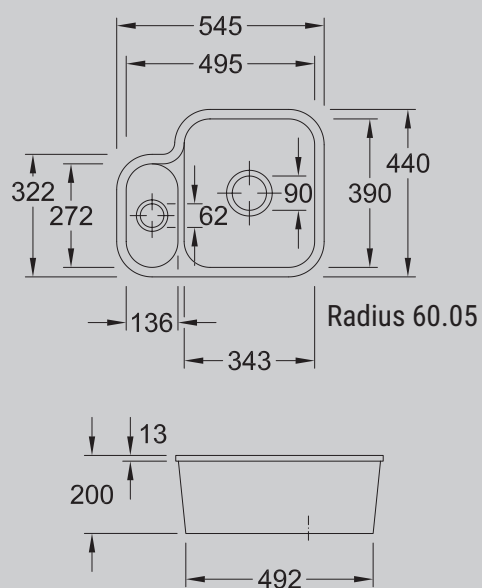
## Cisterna 50 Undermount



Min. Cabinet size: 500mm €620

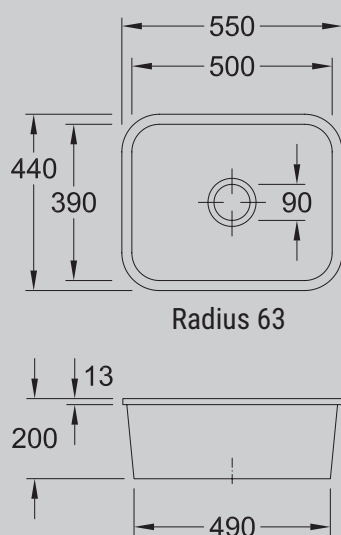
# Cisterna

## Cisterna 60B Undermount



Only available with left hand small bowl  
Min. Cabinet size: 600mm €640

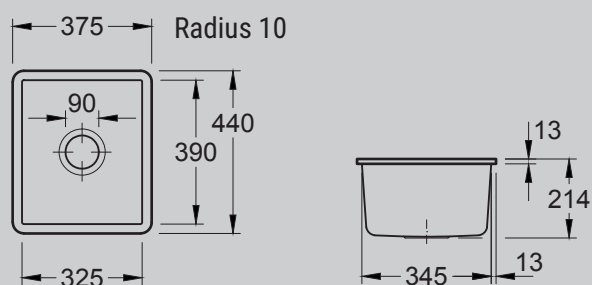
## Cisterna 60C Undermount



Min. Cabinet size: 600mm  
€640

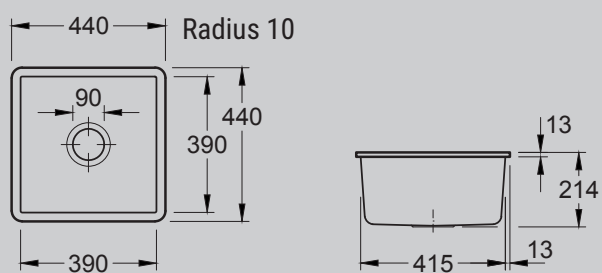
# Subway

## Subway 45SU Undermount



Min. Cabinet size: 450mm €490

## Subway 50SU Undermount

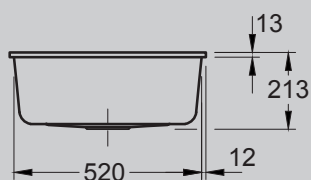
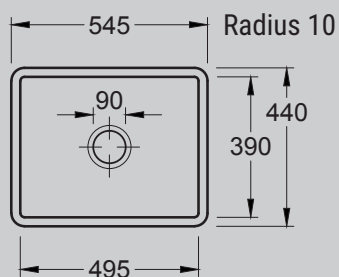


Min. Cabinet size: 500mm €540



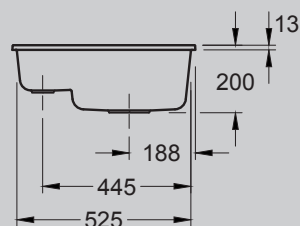
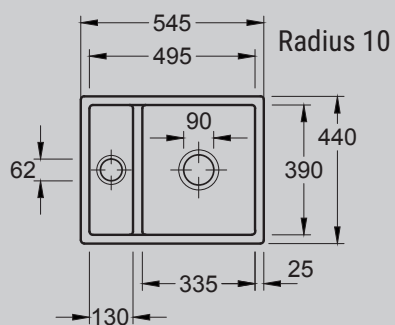
# Subway

## Subway 60SU Undermount



Min. Cabinet size: 600mm €620

## Subway 60XU Undermount

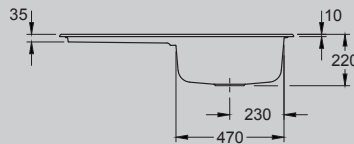
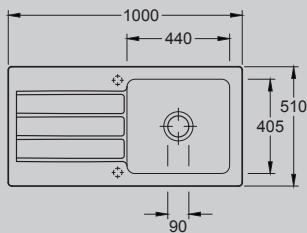


Only available with left hand small bowl.  
Min. Cabinet size: 600mm €660

# Architectura

## Architectura 60 Reversible Inset

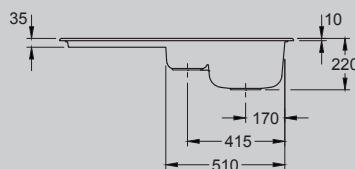
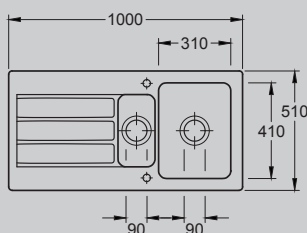
Tap hole drilling  
service available



Min. Cabinet size: 600mm  
€650

## Architectura 60XR Reversible Inset

Tap hole drilling  
service available

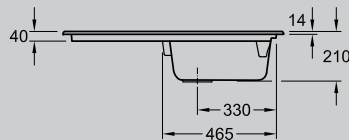
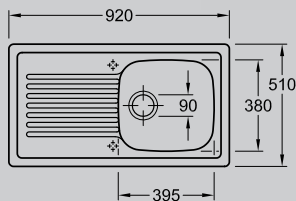


Min. Cabinet size: 600mm  
€660

# Targa

## Targa 50 Reversible Inset

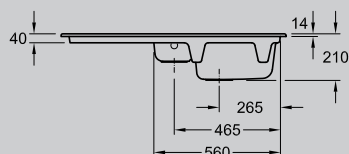
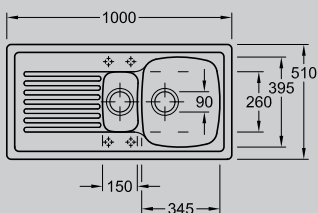
Tap hole drilling  
service available



Min. Cabinet size: 500mm  
**€450**

## Targa 60 Reversible Inset

Tap hole drilling  
service available



Min. Cabinet size: 600mm  
**€510**

# Taps - Avia



AVIA 2.0 - Stainless Steel



AVIA 2.0 - Gold

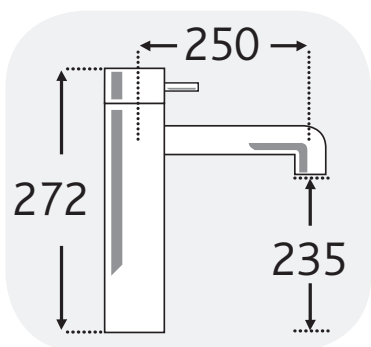


AVIA 2.0 - Bronze



AVIA 2.0 - Antracite

AVIA 2.0 - Stainless Steel	<b>€540</b>
AVIA 2.0 - Gold	<b>€710</b>
AVIA 2.0 - Bronze	<b>€710</b>
AVIA 2.0 - Antracite	<b>€710</b>



## Cover Caps for Overflow

Gold **€25**



Bronze **€25**

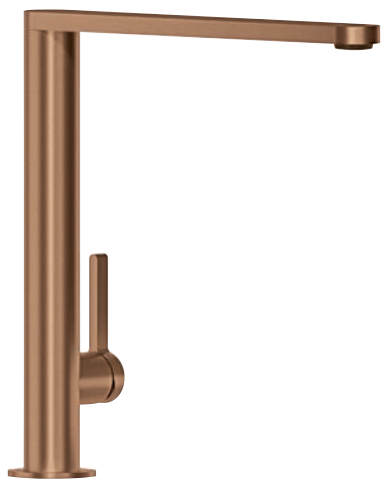
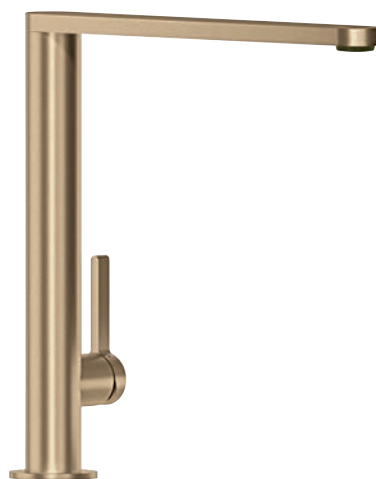


Antracite **€25**



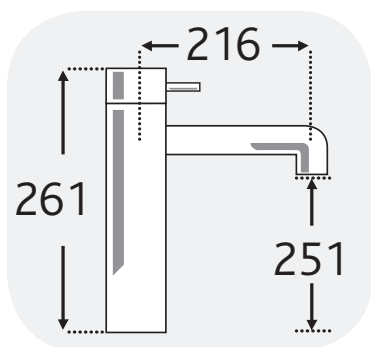
*Pressurised water system required*

# Taps - Finera



- FINERA - Stainless Steel      **€520**
- FINERA - Gold                      **€680**
- FINERA - Bronze                  **€680**
- FINERA - Antracite               **€680**

Please Note: Finera tap must not be installed directly in front of a wall as arc of lever moves 45° towards the rear and 45° toward the front



## Waste cover caps

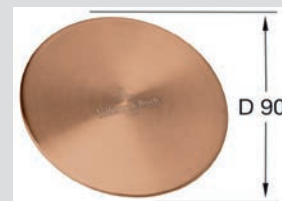
Stainless Steel

**€45**



Bronze

**€60**



Gold

**€60**



Antraite

**€60**



Pressurised water system required

# Taps - Umbrella

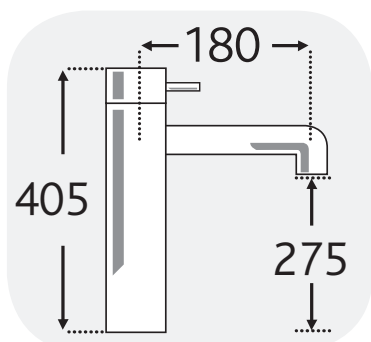


UMBRELLA - Stainless Steel **€460**

UMBRELLA - Gold **€590**

UMBRELLA - Bronze **€590**

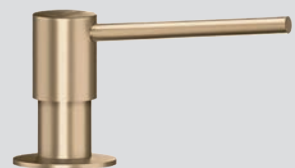
UMBRELLA - Antracite **€590**



## Soap Dispensers



Stainless Steel  
**€200**



Gold  
**€245**

*Pressurised water system required*

# Taps - Umbrella Flex



UMBRELLA FLEX - Stainless Steel

**€550**

UMBRELLA FLEX - Gold

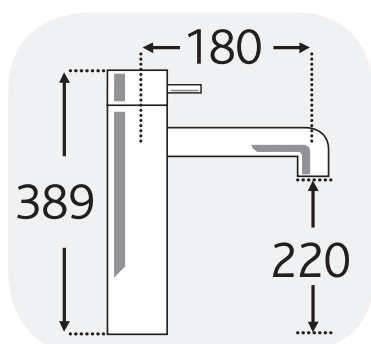
**€710**

UMBRELLA FLEX - Bronze

**€710**

UMBRELLA FLEX - Antracite

**€710**



## Soap Dispensers



Bronze  
**€245**



Antracite  
**€245**

*Pressurised water system required*



## WARRANTY

Villeroy & Boch AG ('Villeroy & Boch') warrants that the following products manufactured by Villeroy & Boch and supplied in the Republic of Ireland by an authorised Villeroy & Boch supplier will be free from defects in materials and workmanship, and, for the following periods from the date of purchase:

- 5 years for ceramics;
- 5 years for wastes;
- 2 years for taps;
- 1 year for baskets, boards, strainer bowls and other sink accessories.

Villeroy & Boch will provide replacement seals and washers free of charge if they are required to rectify any fault due to a defect in materials or workmanship appearing within the 1 year warranty period subject to the conditions set out below. Labour is not included in the warranty for replacement seals and washers.

This warranty is in addition to and does not affect your statutory rights.

## EXCLUSIONS

This warranty is for normal domestic use only and does not cover:

- any defect or injury caused by or resulting from misuse, abuse or neglect, accidental damage, improper installation or other alterations or modifications which affect the reliability or performance of the product not attributable to a defect in materials or workmanship;
- the effects of poor water quality and chemical attack which will affect the longevity of the product;
- any defects or injury caused by or resulting from products installed in a way that was contrary to any applicable National Standards or regulatory requirements;
- any defects or injury caused by or resulting from installation of product in situations outside of the European standards for plumbing installation;
- any defect or injury caused by or resulting from the use of epoxy glues;
- any defect or injury caused by an act, default or omission of, or any representation made by, any person other than Villeroy & Boch or an employee or agent of Villeroy & Boch.



*Dimensional Sketches are for illustration only and are not for use as templates.  
For additional product information and care suggestions visit our website.*

**The Kitchen Sink Ltd., Unit 3, Knockmitten Industrial Park,  
Knockmitten Lane, Dublin 12. D12P267  
Tel.: 01 409 7723 / 01 409 7735**

**Email: [sales@thekitchensink.ie](mailto:sales@thekitchensink.ie)  
Website: [www.thekitchensink.ie](http://www.thekitchensink.ie)**

All pricing in brochure is inclusive of VAT@23% - E&OE